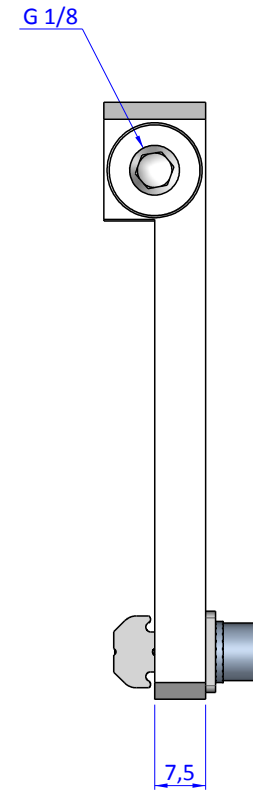
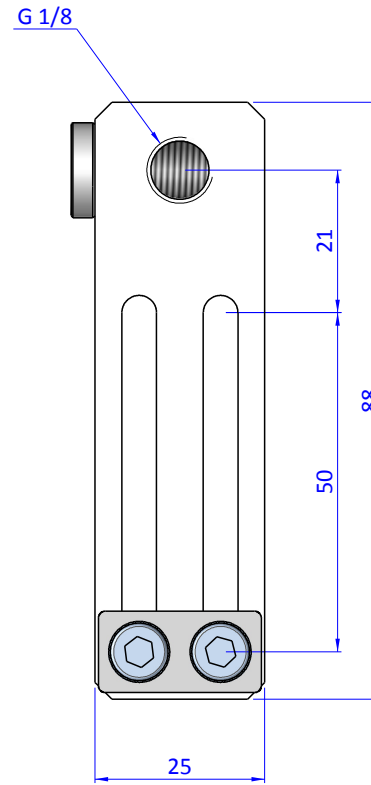
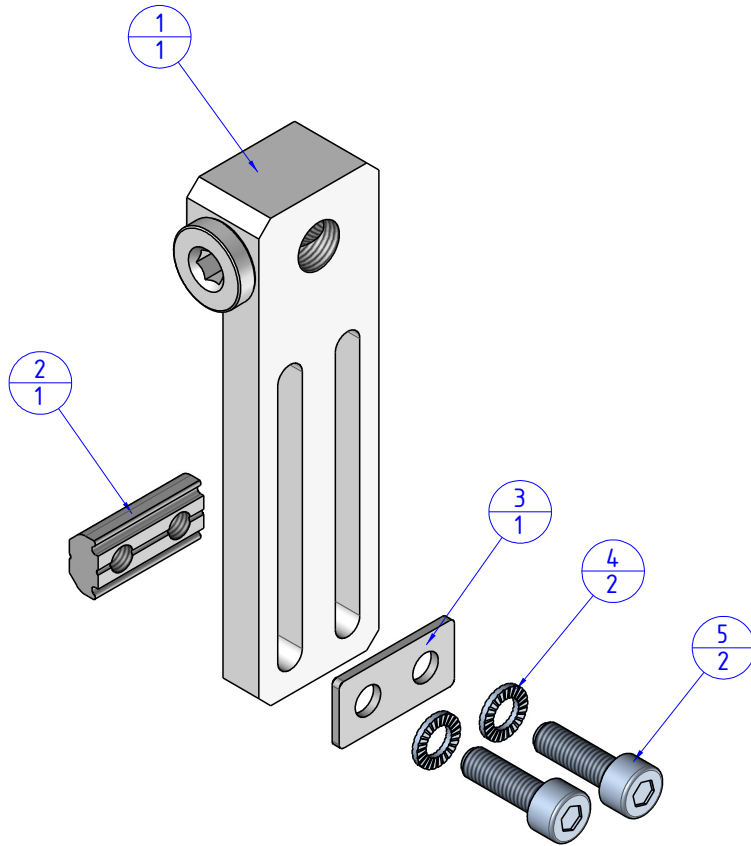


THE PROPERTY OF THE DRAWING IS ESTABLISHED BY LAW. IT IS FORBIDDEN TO PRODUCE OR SHOW IT TO THIRD PARTY, WITHOUT A WRITTEN AGREEMENT.

Item	Name	Q.ty
1	CA.WLS.18.18	1
2	GWP.5.12	1
3	R.05.12	1
4	R.5.SCH	2
5	VTCE5x16	2



Format A3

UNI 936-76

FP SERVICES AUTOMATION		DESIGNED FROM		REVIEW
		FPSERVICES		A
GENERAL TOLERANCE		DATE	WEIGHT	
UNI - ISO 2768		27/02/2019	0,065kg	
CLASSE f	DESCRIPTION	CODE		
	CA.WLS.18.18.X	CA.WLS.18.18.X		